

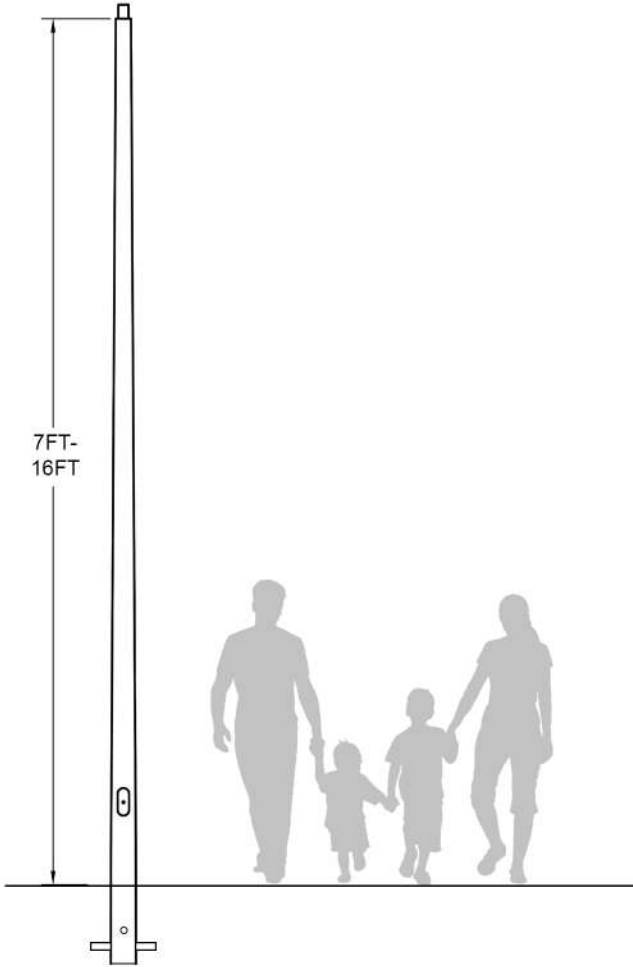


DIRECT BURY POLE

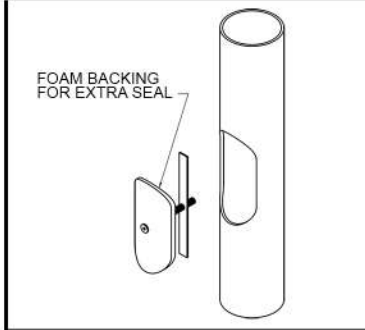
EOS 200 SERIES (EPA:2)



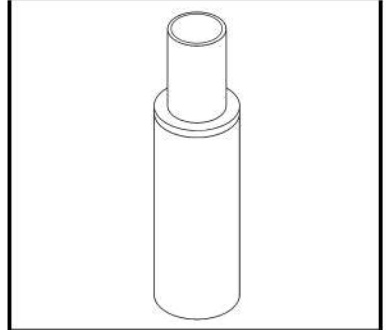
- Max EPA: 2 (100mph) •
- Material: Fiberglass •
- Non-conductive •
- Non-corrosive •
- Compliant with NAAMM & AASHTO •



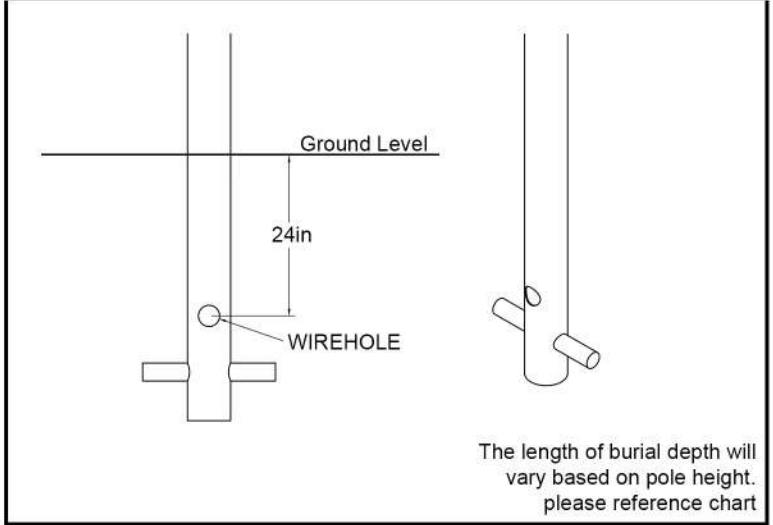
HANDHOLE



TENON



DIRECT BURY



*Not all graphics are to scale

MODEL #	MOUNTING HEIGHT	SHAFT LENGTH (FT)	NOMINAL POLE WEIGHT (LBS)	TIP OUTER Ø (IN)	NOMINAL GROUND LEVEL Ø (IN)	BURY DEPTH (FT)	MAX ALLOWABLE WEIGHT (LBS)	MAX EPA 100MPH
D207	7	9	15	3.3	4.75	2	25	2
D208	8	10	16	3.3	4.75	2	25	2
D209	9	11	17	3.3	5	2	25	2
D210	10	13	20	3.3	5	3	25	2
D211	11	14	21	3.3	5.25	3	30	2
D212	12	15	26	3.3	5.25	3	30	2
D213	13	16	27	3.3	5.25	3	30	2
D214	14	17	29	3.3	5.4	3	35	2
D215	15	18	31	3.3	5.4	3	35	2
D216	16	19	33	3.3	5.5	3	35	2

ORDERING EXAMPLE

MODEL #	FIXTURE MOUNTING	COLOR	HANDHOLE	GFI
D207 D213 D208 D214 D209 D215 D210 D216 D211 D212	T1 - 3in x 4in long tenon T2 - 2 3/8in x 4in long tenon	BLK - black BR - bronze GR - gray WH - white CM - color match	H0 - no handhole H2 - 2 1/2in x 5in	GFI - standard Ground Fault Circuit Interrupter GFIU - in use Ground Fault Circuit Interrupter (leave blank if you do not want this option)
D216	+ T1	+ BLK	+ H2	+ GFI

*If CM,CH,GFI or GFIU selected please call for further instructions

= D216-T1-BLK-H2-GFI

*See accessories pages for info on GFI