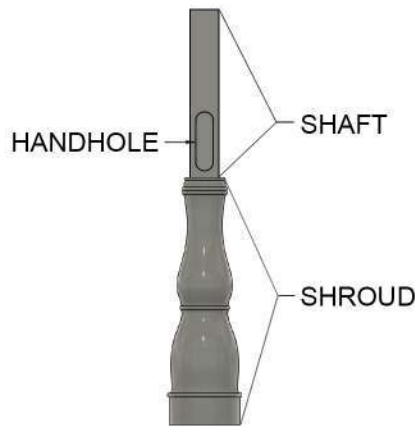
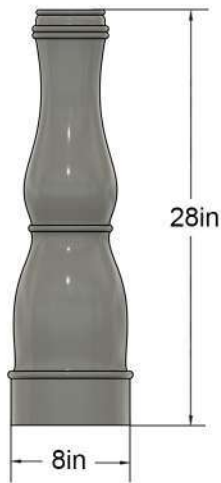




# ROXBURY TRIM DECORATIVE POLE



- EPA: 3 (100mph) •
- Shroud Material: Urethane •
- Pole Material: Fiberglass •
- Non-conductive •
- Non-corrosive •



## POLE OPTIONS

The Hyperia Decorative Trim series shafts are inseparable from their shrouds and only support a top mounted luminaire

POLE MOUNTING HEIGHT	WEIGHT
6FT	38lbs
8FT	42lbs
10FT	46lbs
12FT	50lbs

## PATTERN OPTIONS

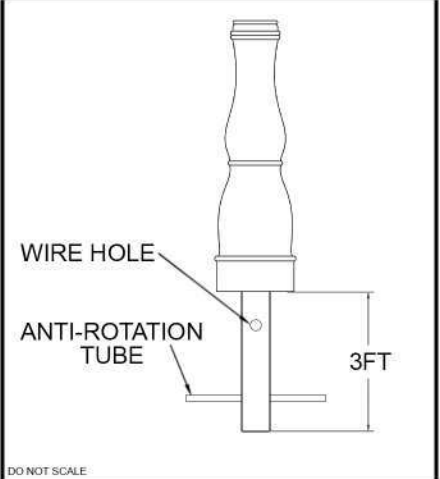


FLUTED



SMOOTH

## DIRECT BURIAL OPTION



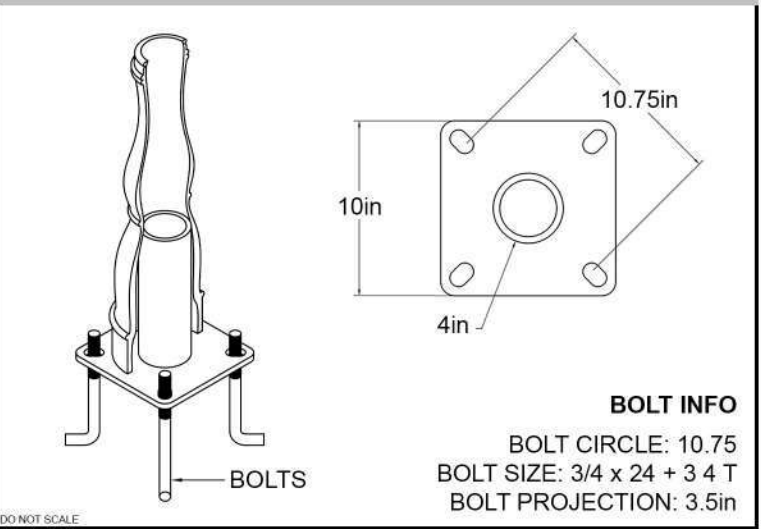
DO NOT SCALE



## HANDHOLE



## ANCHOR BASE OPTION



DO NOT SCALE

## BOLT INFO

BOLT CIRCLE: 10.75  
BOLT SIZE: 3/4 x 24 + 3 4 T  
BOLT PROJECTION: 3.5in

## ORDERING EXAMPLE

SHROUD	INSTALLATION TYPE	PATTERN	POLE MOUNTING HEIGHT	FINISH	COLOR	TENON	HANDHOLE	GFI	F. HOLDER									
RO	AB - anchor base DB - direct burry	SM - smooth FL - fluted	6FT - 6ft pole 8FT - 8ft pole 10FT - 10ft pole 12FT - 12ft pole	HG - smooth high gloss CI - textured satin (cast iron appearance) SSG - smooth semi gloss	BLK - black BR - bronze GR - gray CM - color match (RAL# required)	T1 - 3in x 3in T2 - 2 3/8in x 3in T4 - 2 3/8in x 4 5/8in T5 - 3in x 4 5/8in	A - 2 1/2in x 5in handhole	GFI - standard Ground Fault Circuit Interrupter GFIU - in use Ground Fault Circuit Interrupter	FLH - side mounted flag holder									
RO	+	DB	+	SM	+	12FT	+	HG	+	BR	+	T1	+	A	+	-	+	-
= RO-DB-SM-12FT-HG-BR-T1-A																		

see accessory sheet for more info (leave blank if you do not want these options)

# ROXBURY TRIM

## DECORATIVE POLE



### ANCHOR BASE POLES

MODEL #	SHAFT LENGTH (FT)	POLE OUTER Ø (IN)	BOLT SIZE (IN)	ANCHOR BASE BOLT CIRC. (IN)	NOMINAL POLE WEIGHT (LBS)	MAX ALLOWABLE WEIGHT (LBS)	3 EPA MAX (MPH)	3 EPA MAX (MPH)
AB-SM-6FT	6	4.5	3/4 x 24 + 3 4T	10.75	38	25	100	100
AB-SM-8FT	8	4.5	3/4 x 24 + 3 4T	10.75	42	25	100	100
AB-SM-10FT	10	4.5	3/4 x 24 + 3 4T	10.75	48	25	100	100
AB-SM-12FT	12	4.5	3/4 x 24 + 3 4T	10.75	50	30	100	100
AB-FL-6FT	6	4.5	3/4 x 24 + 3 4T	10.75	38	25	100	100
AB-FL-8FT	8	4.5	3/4 x 24 + 3 4T	10.75	42	25	100	100
AB-FL-10FT	10	4.5	3/4 x 24 + 3 4T	10.75	48	25	100	100
AB-FL-12FT	12	4.5	3/4 x 24 + 3 4T	10.75	50	30	100	100

### DIRECT BURY POLES

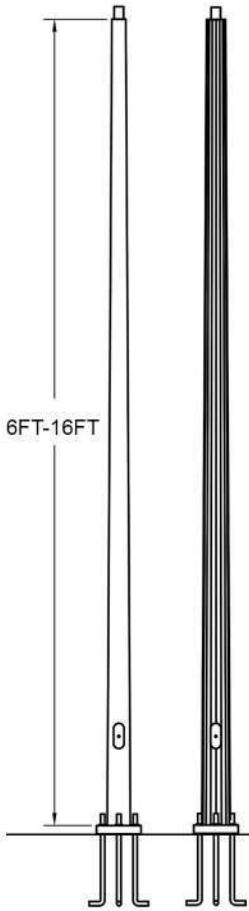
MODEL #	SHAFT LENGTH (FT)	MOUNTING HIGHT (FT)	TIP OUTER Ø (IN)	BURIAL DEPTH (FT)	NOMINAL POLE WEIGHT (LBS)	MAX ALLOWABLE WEIGHT (LBS)	3 EPA MAX (MPH)
DB-SM-6FT	9	6	5.3	3	41	25	100
DB-SM-8FT	11	8	5.3	3	45	25	100
DB-SM-10FT	13	10	5.3	3	51	25	100
DB-SM-12FT	15	12	5.3	3	53	30	100
DB-FL-6FT	9	6	5.3	3	41	25	100
DB-FL-8FT	11	8	5.3	3	45	25	100
DB-FL-10FT	13	10	5.3	3	51	25	100
DB-FL-12FT	15	12	5.3	3	53	25	100

SM = Smooth Pole  
FL = Fluted Pole



# ANCHOR BASE POLE DECORATIVE POLE

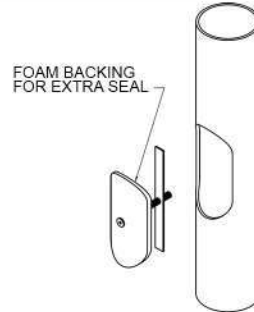
- Max EPA: 3 (100mph) •
- Material: Fiberglass •
- Non-conductive •
- Non-corrosive •
- Compliant with NAAMM & AASHTO •



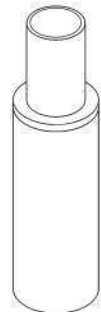
**PLEASE NOTE:**  
The Hyperia Decorative series only supports a top mounted luminaire

**PLEASE NOTE:**  
This is an order for a pole only. to purchase a shroud in conjunction please see our decorative shrouds

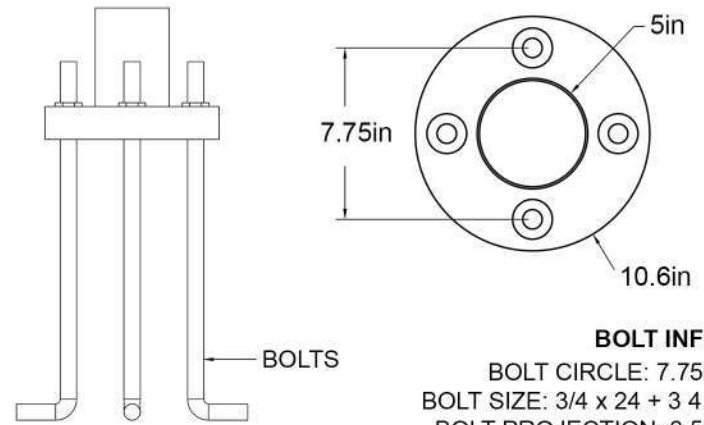
## HANDHOLE



## TENON



## ANCHOR BASE (not applicable for direct burry)



### BOLT INFO

BOLT CIRCLE: 7.75in  
BOLT SIZE: 3/4 x 24 + 3 4 T  
BOLT PROJECTION: 3.5in

\*Bolts not to scale

MODEL #	SHAFT LENGTH (FT)	TIP OUTER Ø (IN)	GROUND LEVEL Ø (IN)	BOLT SIZE (IN)	ANCHOR BASE BOLT CIRC. (IN)	NOMINAL POLE WEIGHT (LBS)	MAX ALLOWABLE WEIGHT (LBS)	3 EPA MAX (MPH)
AB-SM-6FT	6	4.5	5.2	3/4 x 24 + 3 4 T	7.75	20	25	100
AB-SM-8FT	8	4.5	5.2	3/4 x 24 + 3 4 T	7.75	25	25	100
AB-SM-10FT	10	4.5	5.3	3/4 x 24 + 3 4 T	7.75	29	25	100
AB-SM-12FT	12	4.5	5.5	3/4 x 24 + 3 4 T	7.75	32	30	100
AB-SM-14FT	14	4.5	5.6	3/4 x 24 + 3 4 T	7.75	36	35	100
AB-SM-16FT	16	4.5	5.75	3/4 x 24 + 3 4 T	7.75	40	35	100
AB-FL-6FT	6	4.5	5.25	3/4 x 24 + 3 4 T	7.75	30	25	100
AB-FL-8FT	8	4.5	5.5	3/4 x 24 + 3 4 T	7.75	38	25	100
AB-FL-10FT	10	4.5	5.75	3/4 x 24 + 3 4 T	7.75	48	25	100
AB-FL-12FT	12	4.5	6	3/4 x 24 + 3 4 T	7.75	57	30	100
AB-FL-14FT	14	4.5	6.5	3/4 x 24 + 3 4 T	7.75	67	35	100
AB-FL-16FT	16	4.5	6.75	3/4 x 24 + 3 4 T	7.75	76	35	100

## ORDERING EXAMPLE

MODEL #	FINISH	COLOR	TENON	HANDHOLE	GFI	F. HOLDER
(Please reference chart above)	HG - high gloss CI - cast iron texture SSG - smooth semi gloss	BLK - black BR - bronze GR - gray CM - color match (RAL# required)	T1 - 3in Ø x 3in long tenon T2 - 2 3/8in Ø x 4in long tenon	H0 - no handhole H2 - 2 1/2in x 5in CH - custom handhole	GFI - standard Ground Fault Circuit Interrupter GFIU - in use Ground Fault Circuit Interrupter  (leave blank if you do not want this option)	FH - side mount flag holder  (leave blank if you do not want this option)
AB-FL-6FT	+ HG	+ BLK	+ T1	+ H2	+ ...	+ ...
= AB-FL-6FT-HG-BLK-T1-H2						

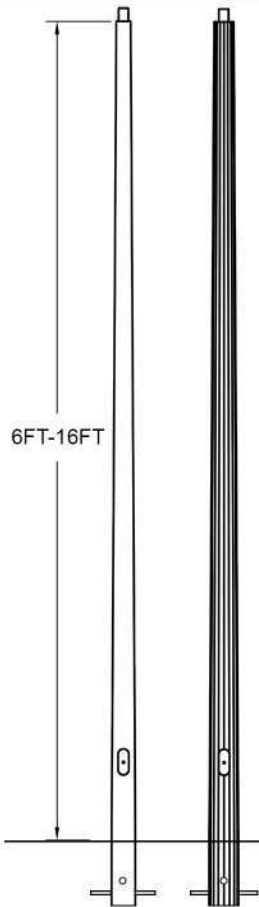


**HYPERIA™**  
A PLP COMPOSITES BRAND

# DIRECT BURY POLE DECORATIVE POLE



- Max EPA: 3 (100mph) •
- Material: Fiberglass •
- Non-conductive •
- Non-corrosive •
- Compliant with NAAMM & AASHTO •

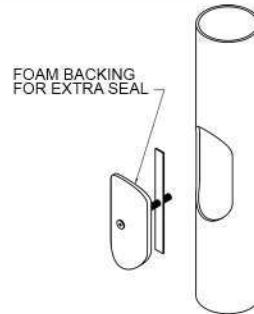


**PLEASE NOTE:**  
The Hyperia Decorative series only supports a top mounted luminaire

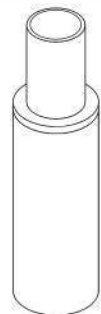
**PLEASE NOTE:**  
This is an order for a pole only. to purchase a shroud in conjunction please see our decorative shrouds



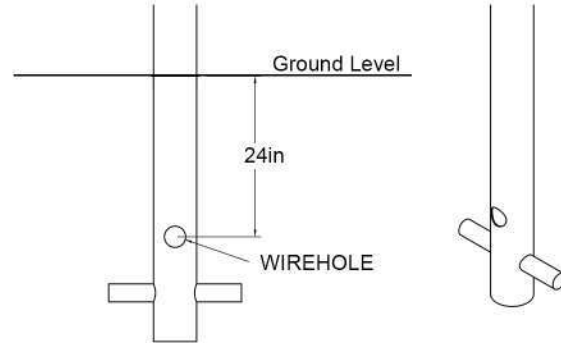
## HANDHOLE



## TENON



## DIRECT BURY



MODEL #	SHAFT LENGTH (FT)	MOUNTING HIGHT (FT)	TIP OUTER Ø (IN)	GROUND LEVEL Ø (IN)	BURIAL DEPTH (FT)	NOMINAL POLE WEIGHT (LBS)	MAX ALLOWABLE WEIGHT (LBS)	3 EPA MAX (MPH)
DB-SM-6FT	9	6	4.5	5.2	3	20	25	100
DB-SM-8FT	11	8	4.5	5.2	3	25	25	100
DB-SM-10FT	13	10	4.5	5.3	3	29	25	100
DB-SM-12FT	15	12	4.5	5.5	3	32	30	100
DB-SM-14FT	18	14	4.5	5.6	4	36	35	100
DB-SM-16FT	20	16	4.5	5.75	4	40	35	100
DB-FL-6FT	9	6	4.5	5.25	3	38	25	100
DB-FL-8FT	11	8	4.5	5.5	3	46	25	100
DB-FL-10FT	13	10	4.5	5.75	3	55	25	100
DB-FL-12FT	15	12	4.5	6	3	62	30	100
DB-FL-14FT	18	14	4.5	6.5	4	76	35	100
DB-FL-16FT	20	16	4.5	6.75	4	85	35	100

## ORDERING EXAMPLE

MODEL #	FINISH	COLOR	TENON	HANDHOLE	GFI	F. HOLDER
(Please reference chart above)	HG - high gloss CI - cast iron texture SSG - smooth semi gloss	BLK - black BR - bronze GR - gray CM - color match (RAL# required)	T1 - 3in Ø x 3in long tenon T2 - 2 3/8in Ø x 4in long tenon	H0 - no handhole H2 - 2 1/2in x 5in CH - custom handhole	GFI - standard Ground Fault Circuit Interrupter GFIU - in use Ground Fault Circuit Interrupter  (leave blank if you do not want this option)	FH - side mount flag holder  (leave blank if you do not want this option)
DB-FL-6FT	+ HG	+ BLK	+ T1	+ H2	+ ...	+ ...
= DB-FL-6F-HG-BLK-T1-H2						

\*If CM, CH, GFI, GFIU or FH selected please call for further instructions