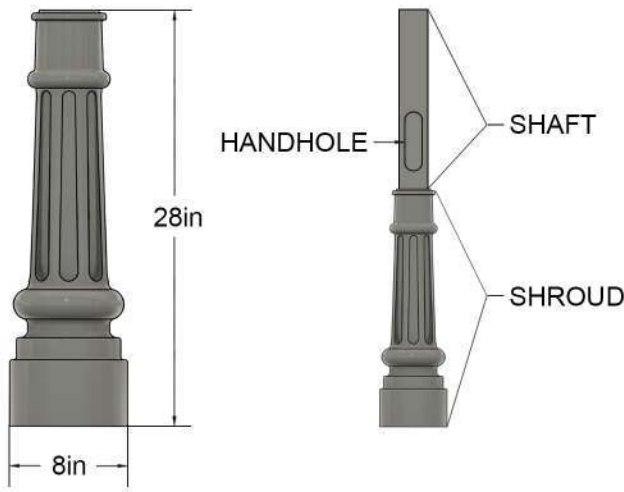




TROY TRIM DECORATIVE POLE



- EPA: 3 (100mph) •
- Shroud Material: Urethane •
- Pole Material: Fiberglass •
- Non-conductive •
- Non-corrosive •



POLE OPTIONS

The Hyperia Decorative Trim series shafts are inseparable from their shrouds and only support a top mounted luminaire

POLE MOUNTING HEIGHT	WEIGHT
6FT	38lbs
8FT	42lbs
10FT	46lbs
12FT	50lbs

PATTERN OPTIONS

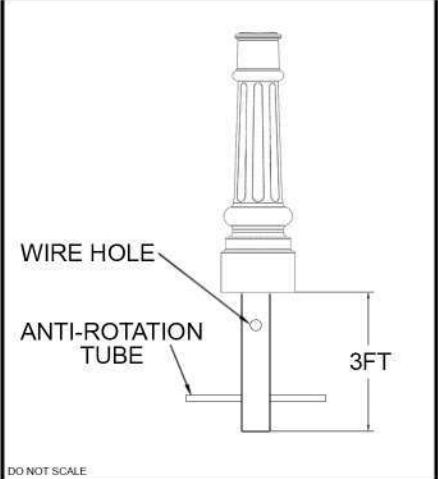


FLUTED



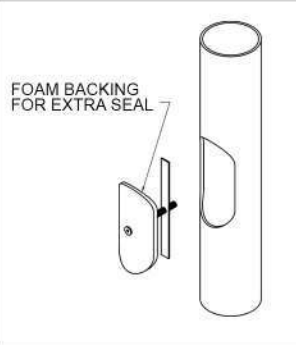
SMOOTH

DIRECT BURIAL OPTION

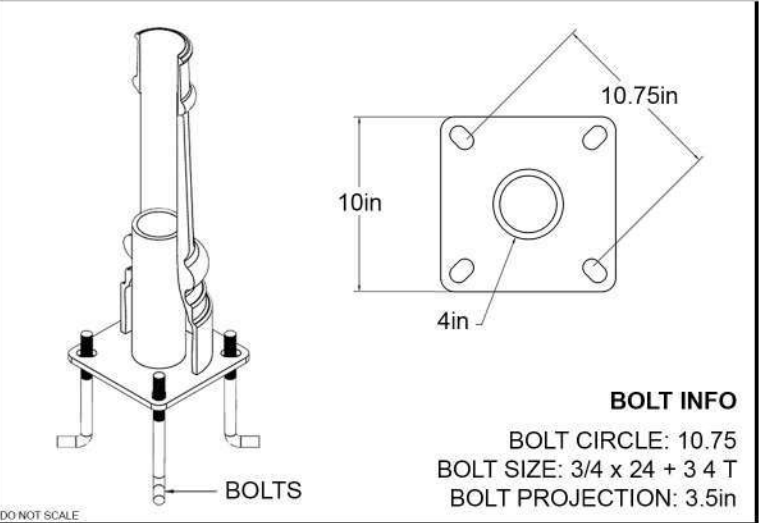


DO NOT SCALE

HANDHOLE



ANCHOR BASE OPTION



DO NOT SCALE

BOLT INFO

BOLT CIRCLE: 10.75
BOLT SIZE: 3/4 x 24 + 3 4 T
BOLT PROJECTION: 3.5in



ORDERING EXAMPLE

SHROUD	INSTALLATION TYPE	PATTERN	POLE MOUNTING HEIGHT	FINISH	COLOR	TENON	HANDHOLE	GFI	F. HOLDER									
TR	AB - anchor base DB - direct burry	SM - smooth FL - fluted	6FT - 6ft pole 8FT - 8ft pole 10FT - 10ft pole 12FT - 12ft pole	HG - smooth high gloss CI - textured satin (cast iron appearance) SSG - smooth semi gloss	BLK - black BR - bronze GR - gray CM - color match (RAL# required)	T1 - 3in x 3in T2 - 2 3/8in x 3in T4 - 2 3/8in x 4 5/8in T5 - 3in x 4 5/8in	A - 2 1/2in x 5in handhole	GFI - standard Ground Fault Circuit Interrupter GFIU - in use Ground Fault Circuit Interrupter	FLH - side mounted flag holder									
TR	+	DB	+	SM	+	12FT	+	HG	+	BR	+	T1	+	A	+	-	+	-
= TR-DB-SM-12FT-HG-BR-T1-A																		

see accessory sheet for more info (leave blank if you do not want these options)

TROY TRIM

DECORATIVE POLE



ANCHOR BASE POLES

MODEL #	SHAFT LENGTH (FT)	POLE OUTER Ø (IN)	BOLT SIZE (IN)	ANCHOR BASE BOLT CIRC. (IN)	NOMINAL POLE WEIGHT (LBS)	MAX ALLOWABLE WEIGHT (LBS)	3 EPA MAX (MPH)	3 EPA MAX (MPH)
AB-SM-6FT	6	4.5	3/4 x 24 + 3 4T	10.75	38	25	100	100
AB-SM-8FT	8	4.5	3/4 x 24 + 3 4T	10.75	42	25	100	100
AB-SM-10FT	10	4.5	3/4 x 24 + 3 4T	10.75	48	25	100	100
AB-SM-12FT	12	4.5	3/4 x 24 + 3 4T	10.75	50	30	100	100
AB-FL-6FT	6	4.5	3/4 x 24 + 3 4T	10.75	38	25	100	100
AB-FL-8FT	8	4.5	3/4 x 24 + 3 4T	10.75	42	25	100	100
AB-FL-10FT	10	4.5	3/4 x 24 + 3 4T	10.75	48	25	100	100
AB-FL-12FT	12	4.5	3/4 x 24 + 3 4T	10.75	50	30	100	100

DIRECT BURY POLES

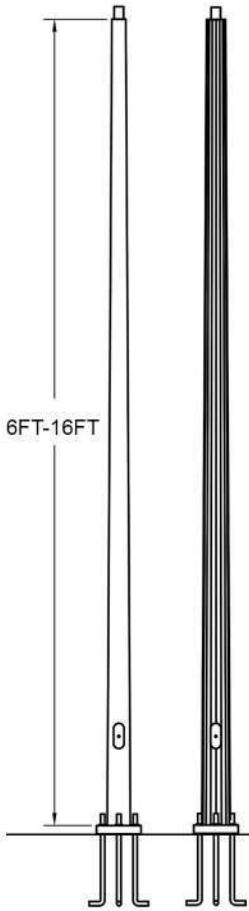
MODEL #	SHAFT LENGTH (FT)	MOUNTING HIGHT (FT)	TIP OUTER Ø (IN)	BURIAL DEPTH (FT)	NOMINAL POLE WEIGHT (LBS)	MAX ALLOWABLE WEIGHT (LBS)	3 EPA MAX (MPH)
DB-SM-6FT	9	6	5.3	3	41	25	100
DB-SM-8FT	11	8	5.3	3	45	25	100
DB-SM-10FT	13	10	5.3	3	51	25	100
DB-SM-12FT	15	12	5.3	3	53	30	100
DB-FL-6FT	9	6	5.3	3	41	25	100
DB-FL-8FT	11	8	5.3	3	45	25	100
DB-FL-10FT	13	10	5.3	3	51	25	100
DB-FL-12FT	15	12	5.3	3	53	25	100

SM = Smooth Pole
FL = Fluted Pole



ANCHOR BASE POLE DECORATIVE POLE

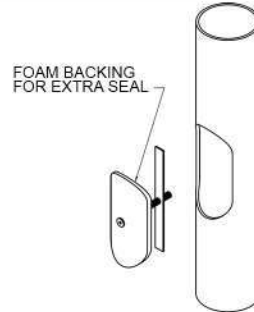
- Max EPA: 3 (100mph) •
- Material: Fiberglass •
- Non-conductive •
- Non-corrosive •
- Compliant with NAAMM & AASHTO •



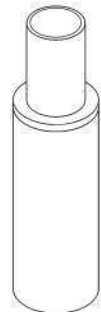
PLEASE NOTE:
The Hyperia Decorative series only supports a top mounted luminaire

PLEASE NOTE:
This is an order for a pole only. to purchase a shroud in conjunction please see our decorative shrouds

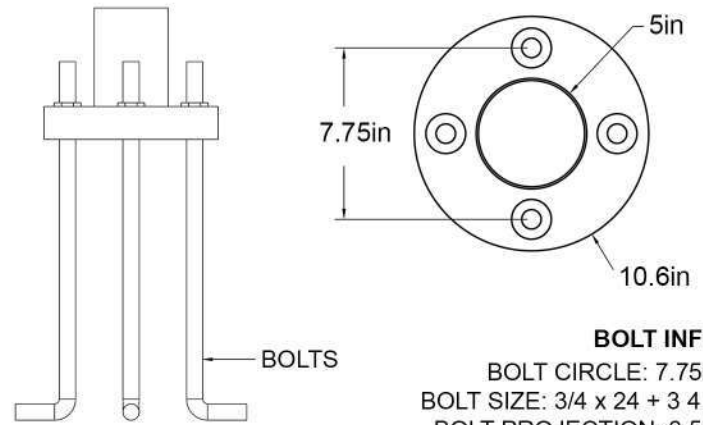
HANDHOLE



TENON



ANCHOR BASE (not applicable for direct burry)



BOLT INFO

BOLT CIRCLE: 7.75in
BOLT SIZE: 3/4 x 24 + 3 4 T
BOLT PROJECTION: 3.5in

*Bolts not to scale

MODEL #	SHAFT LENGTH (FT)	TIP OUTER Ø (IN)	GROUND LEVEL Ø (IN)	BOLT SIZE (IN)	ANCHOR BASE BOLT CIRC. (IN)	NOMINAL POLE WEIGHT (LBS)	MAX ALLOWABLE WEIGHT (LBS)	3 EPA MAX (MPH)
AB-SM-6FT	6	4.5	5.2	3/4 x 24 + 3 4 T	7.75	20	25	100
AB-SM-8FT	8	4.5	5.2	3/4 x 24 + 3 4 T	7.75	25	25	100
AB-SM-10FT	10	4.5	5.3	3/4 x 24 + 3 4 T	7.75	29	25	100
AB-SM-12FT	12	4.5	5.5	3/4 x 24 + 3 4 T	7.75	32	30	100
AB-SM-14FT	14	4.5	5.6	3/4 x 24 + 3 4 T	7.75	36	35	100
AB-SM-16FT	16	4.5	5.75	3/4 x 24 + 3 4 T	7.75	40	35	100
AB-FL-6FT	6	4.5	5.25	3/4 x 24 + 3 4 T	7.75	30	25	100
AB-FL-8FT	8	4.5	5.5	3/4 x 24 + 3 4 T	7.75	38	25	100
AB-FL-10FT	10	4.5	5.75	3/4 x 24 + 3 4 T	7.75	48	25	100
AB-FL-12FT	12	4.5	6	3/4 x 24 + 3 4 T	7.75	57	30	100
AB-FL-14FT	14	4.5	6.5	3/4 x 24 + 3 4 T	7.75	67	35	100
AB-FL-16FT	16	4.5	6.75	3/4 x 24 + 3 4 T	7.75	76	35	100

ORDERING EXAMPLE

MODEL #	FINISH	COLOR	TENON	HANDHOLE	GFI	F. HOLDER
(Please reference chart above)	HG - high gloss CI - cast iron texture SSG - smooth semi gloss	BLK - black BR - bronze GR - gray CM - color match (RAL# required)	T1 - 3in Ø x 3in long tenon T2 - 2 3/8in Ø x 4in long tenon	H0 - no handhole H2 - 2 1/2in x 5in CH - custom handhole	GFI - standard Ground Fault Circuit Interrupter GFIU - in use Ground Fault Circuit Interrupter. (leave blank if you do not want this option)	FH - side mount flag holder (leave blank if you do not want this option)
AB-FL-6FT	+ HG	+ BLK	+ T1	+ H2	+ ...	+ ...
= AB-FL-6FT-HG-BLK-T1-H2						

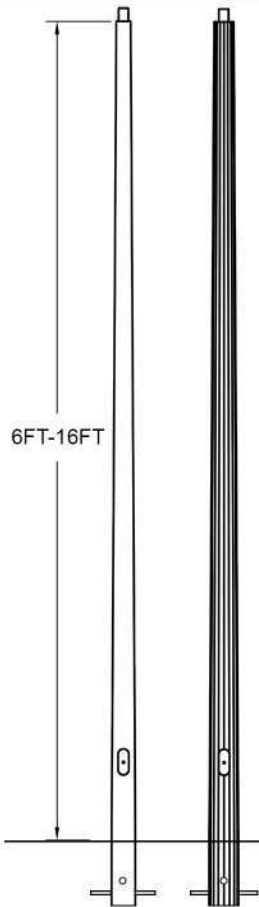


HYPERIA™
A PLP COMPOSITES BRAND

DIRECT BURY POLE DECORATIVE POLE



- Max EPA: 3 (100mph) •
- Material: Fiberglass •
- Non-conductive •
- Non-corrosive •
- Compliant with NAAMM & AASHTO •

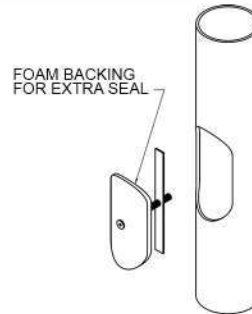


PLEASE NOTE:
The Hyperia Decorative series only supports a top mounted luminaire

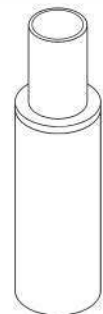
PLEASE NOTE:
This is an order for a pole only. to purchase a shroud in conjunction please see our decorative shrouds



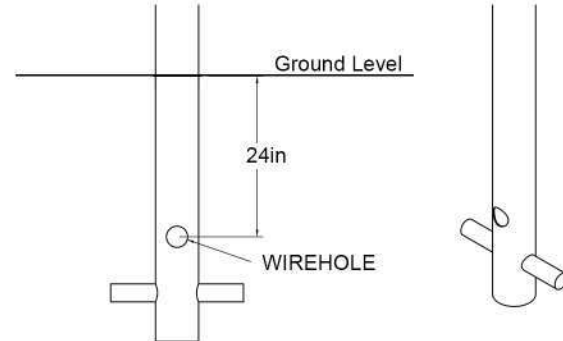
HANDHOLE



TENON



DIRECT BURY



MODEL #	SHAFT LENGTH (FT)	MOUNTING HIGHT (FT)	TIP OUTER Ø (IN)	GROUND LEVEL Ø (IN)	BURIAL DEPTH (FT)	NOMINAL POLE WEIGHT (LBS)	MAX ALLOWABLE WEIGHT (LBS)	3 EPA MAX (MPH)
DB-SM-6FT	9	6	4.5	5.2	3	20	25	100
DB-SM-8FT	11	8	4.5	5.2	3	25	25	100
DB-SM-10FT	13	10	4.5	5.3	3	29	25	100
DB-SM-12FT	15	12	4.5	5.5	3	32	30	100
DB-SM-14FT	18	14	4.5	5.6	4	36	35	100
DB-SM-16FT	20	16	4.5	5.75	4	40	35	100
DB-FL-6FT	9	6	4.5	5.25	3	38	25	100
DB-FL-8FT	11	8	4.5	5.5	3	46	25	100
DB-FL-10FT	13	10	4.5	5.75	3	55	25	100
DB-FL-12FT	15	12	4.5	6	3	62	30	100
DB-FL-14FT	18	14	4.5	6.5	4	76	35	100
DB-FL-16FT	20	16	4.5	6.75	4	85	35	100

ORDERING EXAMPLE

MODEL #	FINISH	COLOR	TENON	HANDHOLE	GFI	F. HOLDER
(Please reference chart above)	HG - high gloss CI - cast iron texture SSG - smooth semi gloss	BLK - black BR - bronze GR - gray CM - color match (RAL# required)	T1 - 3in Ø x 3in long tenon T2 - 2 3/8in Ø x 4in long tenon	H0 - no handhole H2 - 2 1/2in x 5in CH - custom handhole	GFI - standard Ground Fault Circuit Interrupter GFIU - in use Ground Fault Circuit Interrupter (leave blank if you do not want this option)	FH - side mount flag holder (leave blank if you do not want this option)
DB-FL-6FT	+ HG	+ BLK	+ T1	+ H2	+ ...	+ ...
= DB-FL-6F-HG-BLK-T1-H2						

*If CM, CH, GFI, GFIU or FH selected please call for further instructions