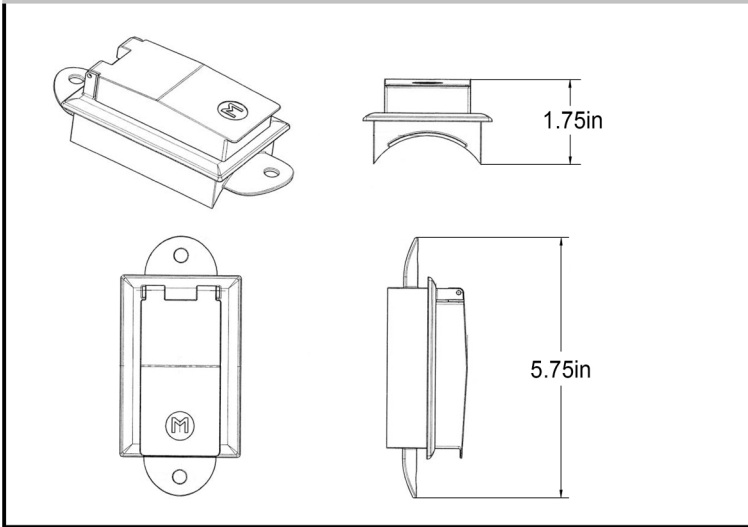
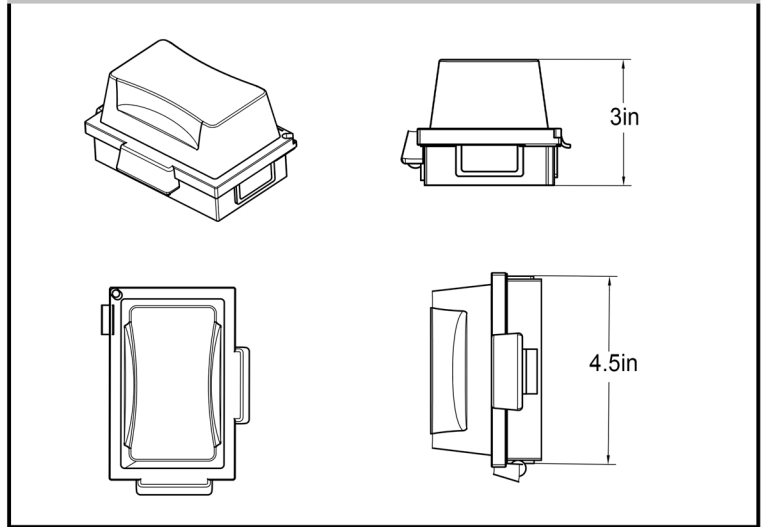


**GFI**



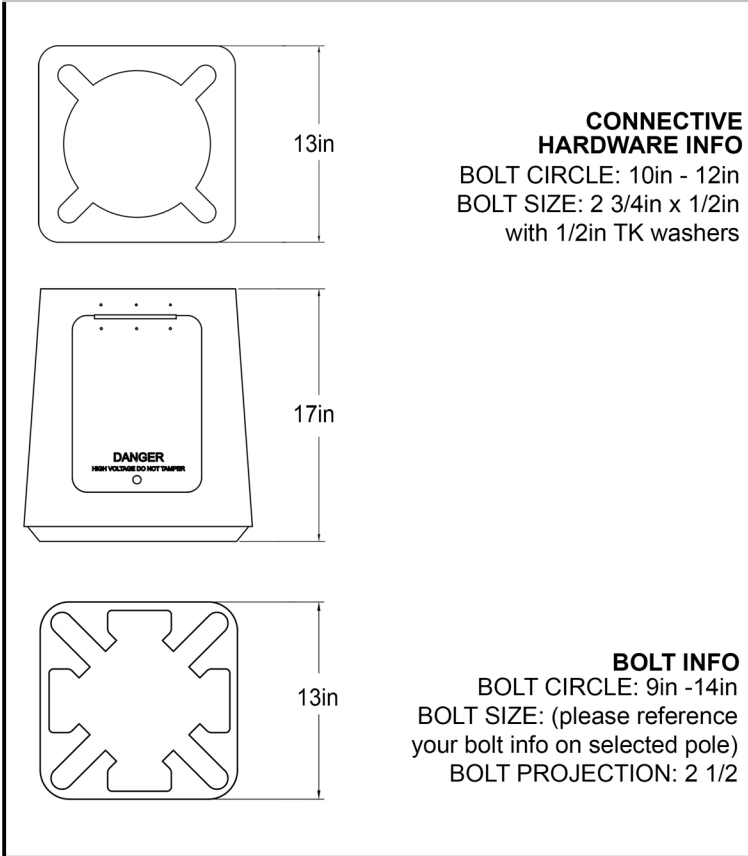
- GFI:**
- Weather resistant when not in use

**GFIU (IN USE GFI)**



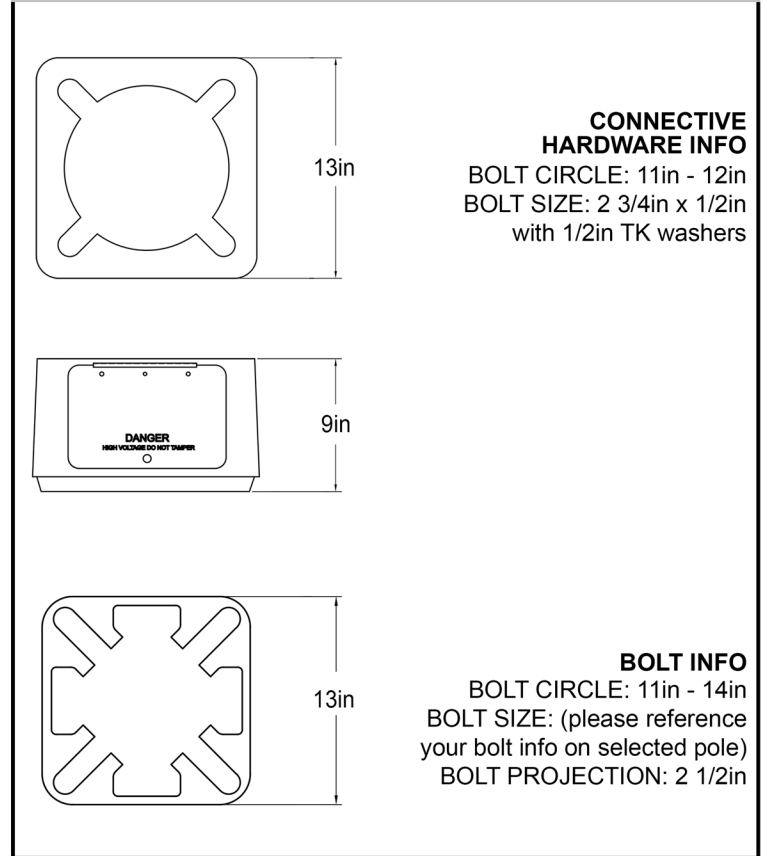
- GFIU:**
- Weather resistant when in use
  - Additional adapter plates available
  - 3in extendable cover

**17IN TRANSFORMER BASE**



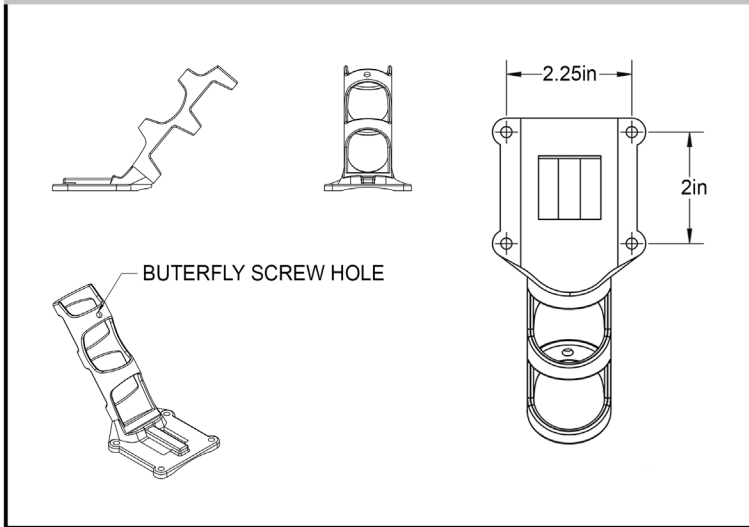
- TB17:**
- Aluminum casting
  - Transformer base not available for EOS 200 series and any direct bury pole
  - Anchor base attaches via connective hardware to top of transformer base
  - Breakaway base approved by F.H.W.A. to AASHTO requirements
  - 9 1/4in x 11 3/4in door
  - For more information please call

**9IN TRANSFORMER BASE**



- TB9:**
- Aluminum casting
  - Transformer base not available for EOS 200 series and any direct bury pole
  - Anchor base attaches via connective hardware to top of transformer base
  - Breakaway base approved by F.H.W.A. to AASHTO requirements
  - 5 1/2in x 11 3/16in door
  - For more information please call

FLAG HOLDER



**FLAG HOLDER:**

- Aluminum
- Comes with butterfly screw for easy adjustments
- For more information please call

SHROUD WITH FLANGE

